



User Manual

Upright Freezer

MODEL: CCUL50W6, CCUL50B6
CCUL50WV6, CCUL50BV6

CCUL60W6, CCUL60B6
CCUL60WV6, CCUL60BV6



CONTENTS

SAFETY INFORMATION

Important Safety Instructions	4-5
Refrigerant	5
Grounding Instructions	6

SET UP & USE

Installation Guide	7-11
Parts & Features	12-13
Operation Instructions	14

CLEANING & CARE	15-16
-----------------------	-------

TROUBLE SHOOTING & WARRANTY

Before You Call For Service	17
Customer Service	17
Troubleshooting	18
Limited Warranty	19

PRODUCT REGISTRATION

Thank you for purchasing our W Appliance product. This easy-to-use manual will guide you in getting the best use of your freezer.

Remember to record the model and serial numbers. They are on a label on the rear of the freezer.

Model number

Serial number

Date of purchase

Staple your receipt to your manual. You will need it to obtain warranty service.

SAFETY INFORMATION

DANGER

DANGER - Immediate hazards which **WILL** result in severe personal injury or death

WARNING

WARNING - Hazards or unsafe practices which **COULD** result in severe personal injury or death

CAUTION

CAUTION - Hazards or unsafe practices which **COULD** result in minor personal injury

IMPORTANT SAFETY INSTRUCTIONS

WARNING

When using electrical appliances, basic safety precautions should be followed, including the following

NOTE: If the freezer has been placed in a horizontal or tilted position for any period of time, wait 24 hours before plugging the unit in.

1. Use this appliance only for its intended purpose as described in this use and care guide.
2. This freezer must be properly installed in accordance with the installation instructions before it is used. See grounding instructions in the installation section.
3. Never unplug your freezer by pulling on the power cord. Always grasp the plug firmly and pull straight out from the outlet.
4. Do not operate any appliance with a damaged cord or plug. Return appliance to the nearest authorized service facility for examination, repair or adjustment.
5. Unplug your freezer before cleaning or before making any repairs. Note: If for any reason this product requires service, we strongly recommend that a certified technician performs the service. Component parts shall be replaced with like components and servicing shall be done by factory authorized service personell, so as to minimize the risk of possible ignition due to incorrect parts or improper service.
6. Do not use any electrical device or any sharp instrument in defrosting your freezer.
7. **DANGER** – Risk of child entrapment. Before you throw away your old refrigerator or freezer, take off the doors and leave the shelves in place to that children may not easily climb inside.
8. After your freezer is in operation, do not touch the cold surfaces in the freezer compartment, particularly when hands are damp or wet. Skin may adhere to these extremely cold surfaces.

SAFETY INFORMATION

9. Do not refreeze foods that have been thawed completely. The United States Department of Agriculture in Home and Garden Bulletin No. 69 reads: "...You may safely refreeze frozen foods that have thawed if they still contain ice crystals or if they are still cold-below 40°F.
"...Thawed ground meats, poultry, or fish that have any off-odor or off-color should not be refrozen and should not be eaten. Thawed ice cream should be discarded. If the odor or color of any food is poor or questionable, discard it. The food may be dangerous to eat ... Even partial thawing and re-freezing reduce the eating quality of foods, particularly fruits, vegetables, and prepared foods. The eating quality of red meats is affected less than that of many other foods. Use refrozen foods as soon as possible, to save as much of its eating quality as you can."
10. This freezer should not be recessed or built-in in an enclosed cabinet. It is designed for freestanding installation only.
11. Do not operate your freezer in the presence of explosive fumes.

SAVE THESE INSTRUCTIONS HOUSEHOLD USE ONLY

DANGER

Risk of child entrapment. Before you throw away your old, take off the doors. Leave the shelves in place so that children may not easily climb inside.

REFRIGERANT GAS WARNINGS



DANGER - Risk of fire or explosion. Flammable refrigerant used. DO NOT use mechanical devices to defrost freezer. DO NOT puncture refrigerant tubing.

- **DANGER** - Risk of fire or explosion. Flammable refrigerant used. To be repaired only by trained service personnel. DO NOT puncture refrigerant tubing.
- **CAUTION** - Risk of fire or explosion. Flammable refrigerant used. Consult repair manual/owner's guide before attempting to service this product. All safety precautions must be followed.
- **CAUTION** - Risk of fire or explosion. Dispose of property in accordance with federal or local regulations. Flammable refrigerant used.
- **CAUTION** - Risk of fire or explosion due to puncture of refrigerant tubing; Follow handling instructions carefully. Flammable refrigerant used.

SAFETY INFORMATION

GROUNDING INSTRUCTIONS

ELECTRICAL REQUIREMENTS

The electrical requirements are a 115 volt 60 Hz, AC only, 15 amp. It is recommended that a separate circuit serving only the product be provided. The product is equipped with a 3-wire cord having a 3-prong grounding plug. It must be plugged into a wall receptacle that is properly installed and grounded.

This appliance must be grounded. In the event of an electrical short circuit, grounding reduces risk of electric shock by providing an escape wire for the electric current. The cord provided with this appliance is equipped with a grounding wire and a grounding plug. The plug must be plugged into an outlet that is properly installed and grounded.

Avoid the use of three prong adapters or cutting off the third grounding prong in order to accommodate a two prong outlet. This is a dangerous practice since it provides no effective grounding for the freezer and may result in shock hazard.

WARNING

Improper use of the grounding plug can result in a risk of electric shock.

Consult a qualified electrician or serviceman if:

- 1) The grounding instructions are not completely understood.
- 2) You are unsure that the appliance is properly grounded.
- 3) You have any questions about the grounding or electrical instructions.

POWER SUPPLY CORD

1. Avoid the use of an extension cord because of potential safety hazards under certain conditions. Have a qualified electrician or serviceman to install an outlet near the appliance.
2. If it is absolutely necessary to use longer cord sets or an extension cord, extreme care must be exercised.
 - a) Use only a grounding type 3-wire extension cord that has a 3-blade grounding plug and a 3-slot receptacle that will accept the plug on the appliance.
 - b) The marked electrical rating of the cord set or extension cord must equal to or greater than the electrical rating of the appliance. The longer cord should be arranged so that it will not drape over the counter top or table top where it can be pulled on by children or tripped over unintentionally.

NOTE: Neither W Appliance nor the dealer can accept any liability for damage to the product or personal injury resulting from failure to observe the electrical connection procedures.

WARNING - RISK OF FIRE

It is important the plug fits tightly into the wall outlet.
If the plug does not fit securely and appears loose, it should not be used.
Have a licensed electrician replace the receptacle.

SET UP & USE

INSTALLATION GUIDE

1. Unpack your freezer by removing all packaging materials like carton, base, foams, adhesive tape, etc.
2. Remove all accessories, internal packaging material used to hold shelves, ice tray, etc. in place.
3. Clean the remains of all adhesive tap used and remove all printed material supplied.
4. Install the freezer in a convenient location away from extreme heat and cold. Allow sufficient clearance between the freezer and side wall so the door(s) will open without obstruction. Freezer is not designed for recessed installation.
5. The floor on which the freezer should be placed must be flat, hard, solid, and even. The freezer should not be placed on any soft material such as foam, plastic, etc.
6. The freezer is equipped with rollers to allow easier movement to a different location. In order to use the rollers turn the leveling legs to the right in order to raise them so they do not obstruct movement of the rollers. Once the freezer is placed in the final location, lower the leveling legs so the freezer does not inadvertently move. Level the freezer.
7. To level your freezer, use the two leveling legs located on the bottom front of your freezer. Adjust by turning the legs counter clockwise to raise or clockwise to lower your freezer. The door will close easier if the leveling legs are extended.

The following are recommended minimum clearances around the freezer for proper air circulation:

Sides: 5" (127mm)

Top: 2" (50mm)

Back: 5" (127mm)

Proper air circulation will help your freezer work at maximum efficiency.

NOTE: The appliance must be correctly connected to the power supply.

CAUTION

Care should be taken during the handling moving and use of the freezer to avoid damaging the refrigerant tubing or increasing the risk of a leak

WARNING

It is important to keep the power cord away from the compressor at the back of the freezer as during operation, the compressor can reach a high temperature and could cause serious damage to the power cord.

SET UP & USE

PROTECTION FROM HEAT AND MOISTURE

- Do not install your freezer in any location where heavy moisture is present or if the location is not properly insulated. This freezer is not designed to operate in temperature setting below 55° Fahrenheit.
- Location for the freezer should be on a hard surface and away from direct sunlight and heat source, e.g., radiators, baseboard heaters, cooking appliances, etc.

DOOR ALIGNMENT AND REVERSAL

The freezer comes with the hinge located on the right so the opening of the freezer is on the left. If you would like to change this please follow the door reversal instructions for the applicable model.

⚠ CAUTION: To avoid personal injury to yourself and/or property, we recommend someone assist you during the door reversal process.

CCUL5W, CCUL5B, CCUL5WV, CCUL5BV (WITHOUT WORKTOP)

DOOR ALIGNMENT

1. Remove the top hinge cover.
2. Loosen the top hinge screws using a Phillips head screwdriver.
3. Adjust the door and then Re-tighten the screws.

DOOR REVERSAL

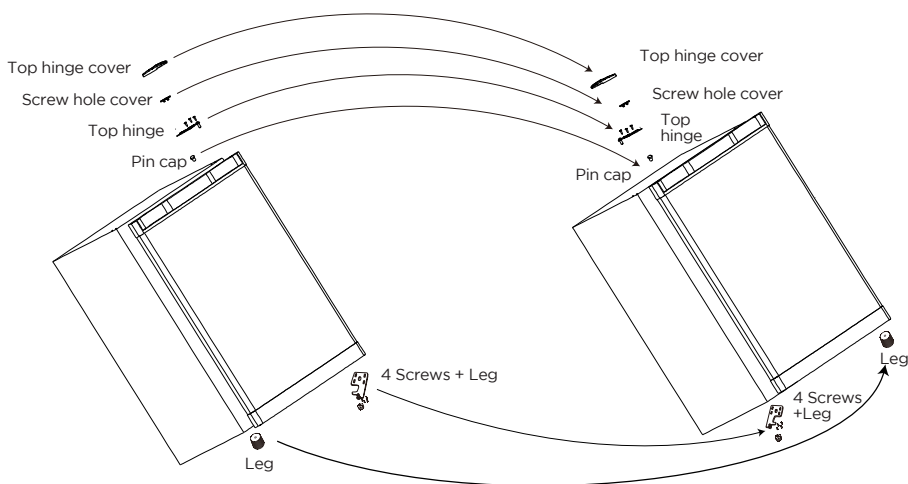


FIGURE 1 (original position)

FIGURE 2 (Position after door reversal)

SET UP & USE

1. Remove any loose items in the freezer and carefully place it on its back.
2. Using a Philips head screwdriver remove the 4 screws and bottom door hinge. Set them aside.
3. Remove the top hinge cover.
4. Loosen and remove the 4 screws holding the top hinge in place.
5. Remove the top hinge and carefully remove the door.
6. Remove the screw hole cover from the opposite side of the upper cabinet and reinsert it to the same location to cover the screw hole openings of the just removed screws.
7. Align the door with the cabinet first. Then re-install the bottom hinge to the bottom opposite side of the cabinet. Insert the 4 screws into the holes. Tighten the screws.
8. Remove the pin cap from the right side of the upper frame of the door, and then reinsert it to the same location on the opposite side.
9. Align top hinge with screw holes, insert the 4 screws and partially secure. Make sure the door and cabinet are properly aligned and then secure tightly.
10. Place the unit back in an upright position. Replace the top hinge cover.

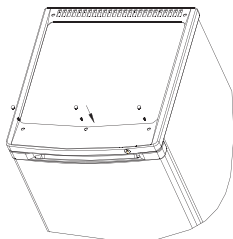
CUL65W, CCUL65B, CCUL65WV, CCUL65BV (WITH WORKTOP)

DOOR ALIGNMENT

1. Remove the worktop. Refer to step 1 on the door reversal instructions.
2. Loosen the top hinge screws using a Phillips head screwdriver.
3. Adjust the door and then Re-tighten the screws.
4. Reattach the worktop.

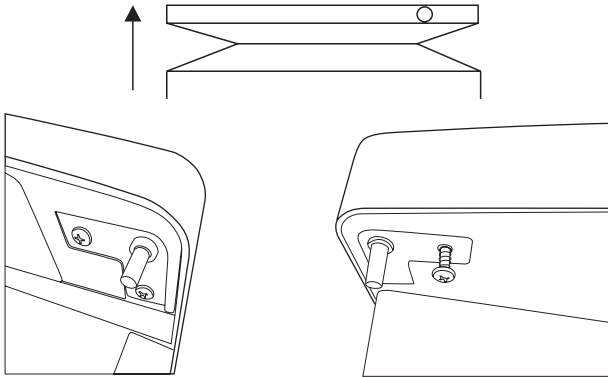
DOOR REVERSAL

1. Remove any loose items in the freezer and carefully place it on its back.
2. Remove the 4 front screw hole covers and then the 4 screws from the top of the freezer.

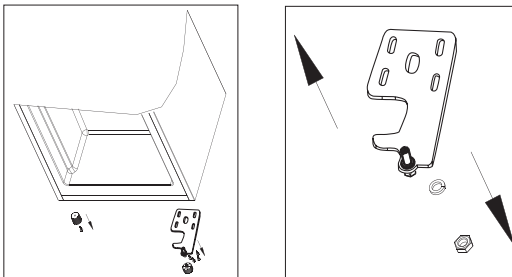


SET UP & USE

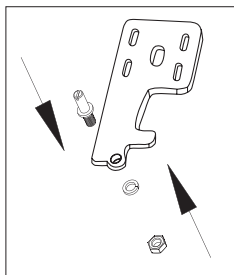
3. Lift the top and remove the 2 screws and the hinge from the right side.
4. Gently lift the door away from the hinge pin and remove the door. Re-insert the 2 screws and hinge on the opposite side.



5. Remove the adjustable leveling leg from the bottom left of the unit.
6. Remove the leg and then the 4 screws from the bottom hinge bracket on the right of the unit. Remove the hinge pin, nut and washer from the bottom right of the unit.

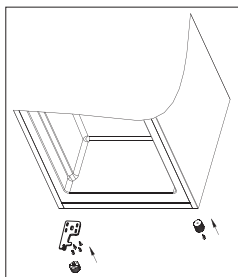


7. Turn over the bottom hinge bracket so the flat edge is facing the outer left side of the unit. Reinstall the pin, nut and washer into the bracket. Re-insert the leg in the front hole of the bracket.

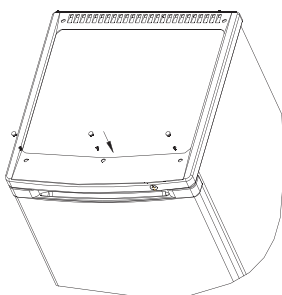


SET UP & USE

- Align the door to the cabinet and secure it with the bottom hinge pin and bracket by inserting the 4 screws into the holes. Tighten the screws. Make sure the leg is tightened in the front hole of the bracket.



- On the right side of the unit, reinstall the previously removed leveling leg.
- Make sure the top of the door is aligned with the cabinet and insert the top hinge pin into the top of the door.
- Secure the worktop with the 3 previously removed screws. Insert the 3 screw covers over the screws.



STARTING YOUR NEW FREEZER

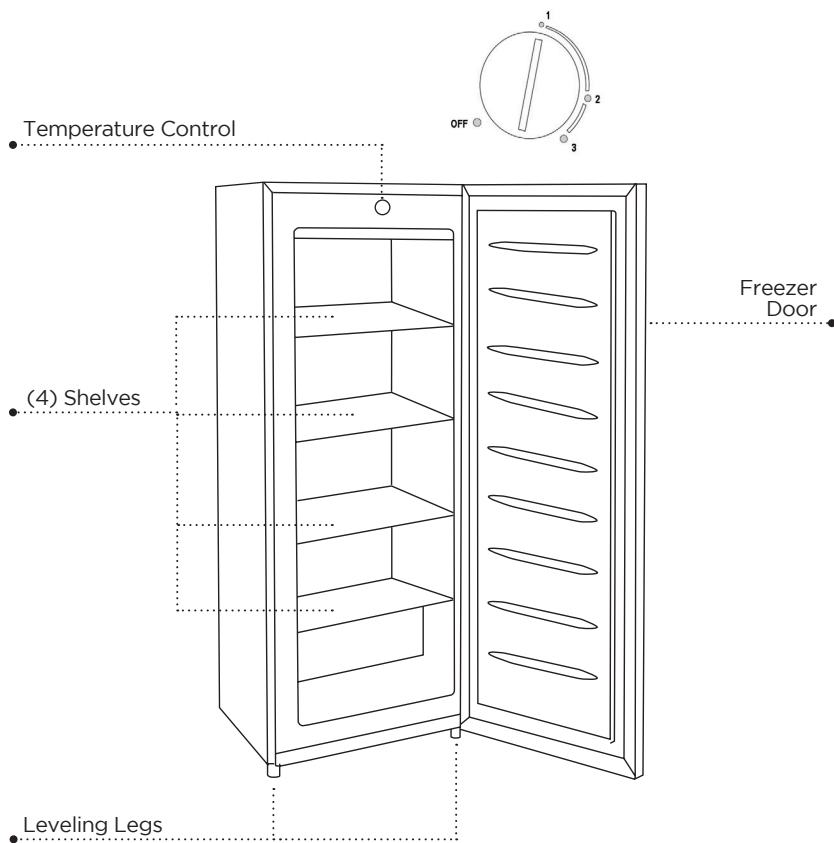
- After cleaning your freezer thoroughly. Wipe the outside with a soft dry cloth, the interior with a clean moist cloth.
- Insert the power supply cord into the socket.
- Turn the thermostat dial to an initial setting of "3" for 24 hours and then set the freezer to your desired setting.

NOTE: As the door gets pressed in during shipping, the gasket may have to be reset. This is done to prevent the cool refrigerated air from escaping. If there is a gap between the door gasket and the cabinet, set the gasket by gently pulling it out of the seal gap.

SET UP & USE

PARTS & FEATURES

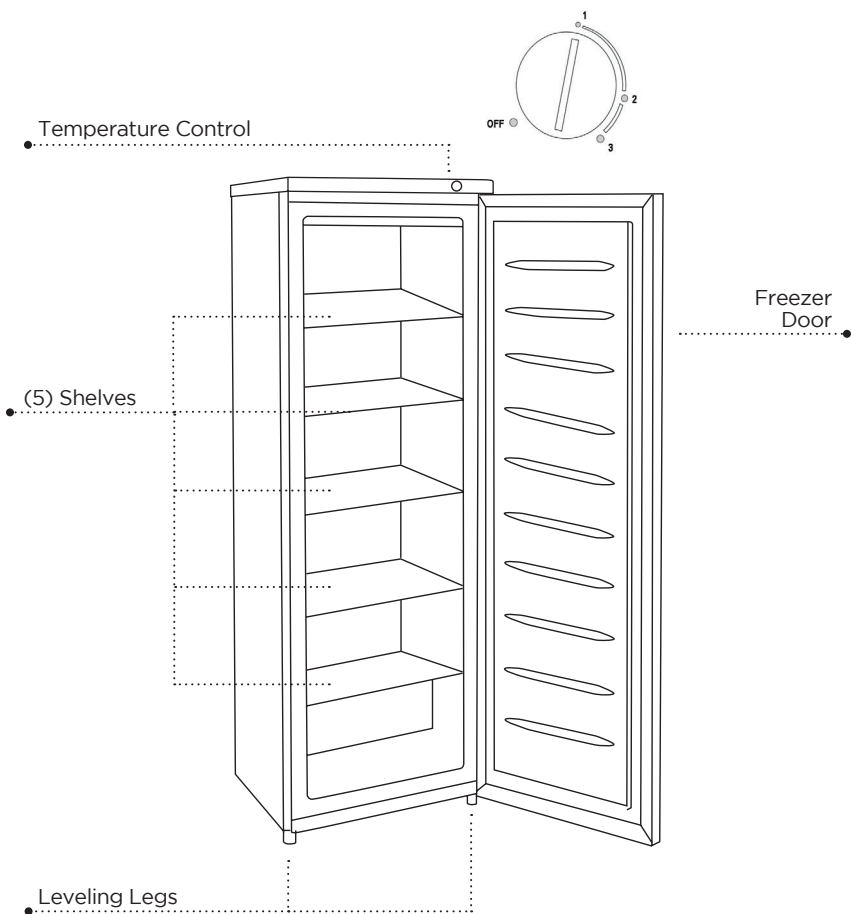
CCUL5W, CCUL5B, CCUL5WV, CCUL5BV



SET UP & USE

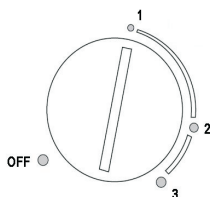
PARTS & FEATURES

CCUL65W, CCUL65B, CCUL65WV, CCUL65BV



SET UP & USE

OPERATION INSTRUCTIONS



TEMPERATURE CONTROL

NOTE: · If the freezer has been placed in a horizontal or tilted position for any period of time wait 24 hours before plugging the unit in.

- The settings of the temperature control are OFF, 1 (warmest), 2, 3 (coldest). Adjust the temperature control to the setting that best suits your needs. .
- Turning the temperature to “OFF” position will shut off the cooling cycle, but does not turn off the electrical power to the unit.

NOTE: · Wait 3-5 minutes before restarting if you shut off the freezer. The unit may fail to operate properly if restarted too quickly.

- If the ambient temperature is too high, the freezer may not reach the desired target temperature.
- Large amounts of foods will lower the cooling efficiency of the appliance.
- If you choose to change the thermostat setting, adjust thermostat control one increment at a time. Allow several hours for temperature to stabilize between adjustments.

CLEANING & CARE

CLEANING AND MAINTAINING

The freezer should be cleaned and maintained once a month. Before doing so, you must unplug the freezer.

POWER INTERRUPTION

In case of a power interruption/outage, unplug the power cord from the wall outlet. Replug the power cord to the wall outlet once the power has been restored. For long period of power outage, inspect and discard the spoiled or thawed foods from the freezer compartments. Clean the freezer thoroughly before using again.

CLEANING METHOD

Prepare a cleaning solution of 3-4 tablespoons of baking soda mixed with warm water. Use sponge or soft cloth, dampened with the cleaning solution to wipe down your freezer.

- Rinse with clean warm water and dry with a soft cloth.
- Do not use harsh chemicals, abrasives, ammonia, chlorine bleach, concentrated detergents, solvents or metal scouring pads. Some of these chemicals may dissolve, damage and/or discolor your freezer.

WARNING

Always unplug your freezer before cleaning to avoid electric shock. Ignoring this warning may result in death or injury

CAUTION

To avoid personal injury or product damage always read and follow manufacturer's instructions and warnings before using any cleaning products.

CLEANING & CARE

DOOR GASKET

Clean door gaskets every three months according to general instructions. Gasket must be kept clean and pliable to assure a proper seal.

- Petroleum jelly applied lightly on the hinge sides of gaskets will keep the gasket pliable and ensure a good seal.

VACATION AND MOVING CARE

- When going on vacation, it is best that you empty all the food from your freezer. Set the temperature dial to “OFF” and unplug the freezer. Clean the unit as per “Cleaning Method” and leave the door open to remove any odors.
- When travelling or moving the freezer, always transport the unit vertically. Moving the unit on its sides may damage the freezer and/or its compressor.

HOW TO DEFROST

- Defrost the freezer when the frost accumulated is about 1/8” thick.
- Set the temperature control dial to “OFF” before defrosting. Remove all contents from the freezer compartment and leave the door open until ice and frost dissolve thoroughly. Make sure a drip tray (not included) is in place and unplug the unit. After defrosting, empty water from drip tray and wipe the compartment dry with a soft cloth and then adjust the temperature control dial to the desired position.

NOTE: · In case you want to speed up the defrosting, you may put a bowl of warm water (about 122°F) into the freezer.

·Do not heat the evaporator directly with hot water or hair dryer while defrosting. Doing so will damage the freezer compartment.

·Never use a sharp or metallic instrument to remove frost as it may damage the freezer and puncture the cooling coils. It will also void the warranty. We recommend using a plastic scraper.

TROUBLESHOOTING & WARRANTY

BEFORE YOU CALL FOR SERVICE

IF THE FREEZER FAILS TO OPERATE:

- A) Check to make sure that the freezer is plugged in securely. If it is not, remove the plug from the outlet, wait 10 seconds and plug it in again securely.
- B) Check for a blown circuit fuse or a tripped main circuit breaker. If these seem to be operating properly, test the outlet with another appliance.

IF NONE OF THE ABOVE SOLVES THE PROBLEM, CONTACT A QUALIFIED TECHNICIAN. DO NOT TRY TO ADJUST OR REPAIR THE Freezer YOURSELF.

CUSTOMER SERVICE

IMPORTANT DO NOT RETURN THIS PRODUCT TO THE STORE

If you have a problem with this product, please contact the W Appliance Co. Customer Satisfaction Center at 1-855-855-0294. DATED PROOF OF PURCHASE, MODEL # AND SERIAL # REQUIRED FOR WARRANTY SERVICE

TROUBLESHOOTING & WARRANTY

TROUBLESHOOTING

Troubleshoot your problem by using the chart below. If the freezer still does not work properly, contact W Appliance Co. customer service center or the nearest authorized service center. Customers must never troubleshoot internal components.

TROUBLE	POSSIBLE CAUSE	POSSIBLE REMEDY
Freezer does not work	<ul style="list-style-type: none"> A. Freezer is not switched on B. Unit is not plugged in or is loose C. Fuse has blown or is defective D. There is a problem with the wall outlet. 	<ul style="list-style-type: none"> A. Turn on the temperature control dial. It may be in the OFF position. B. Plug in the freezer. C. Check fuse, replace if necessary. D. To be corrected by a qualified electrician.
The food is too warm	<ul style="list-style-type: none"> A. Temperature is not properly adjusted B. Door was open for an extended period C. A large quantity of warm food was placed in the freezer within the last 24 hours D. The freezer is near a heat source 	<ul style="list-style-type: none"> A. Set the temperature control dial to a cooler setting B. Open the door only as long as necessary. Check door gasket for proper seal C. Set the temperature control dial to a colder setting temporarily D. Please look in the "Protection From Heat and Moisture" section
Heavy build-up of frost, possibly also on the door seal NOTE: This is normal during high humidity periods. Frequent door openings will also cause heavy frost buildup	<ul style="list-style-type: none"> A. Door seal is not air-tight (possibly after reversing the door) 	<ul style="list-style-type: none"> B. Carefully warm the leaking sections of the door gasket with a hair dryer (on a cool setting). At the same time, shape the warmed door seal by hand such that it sits correctly
Popping or cracking sounds	<ul style="list-style-type: none"> A. When compressor comes on 	<ul style="list-style-type: none"> A. This is a normal sound of coolant flowing through condenser coils
Freezer door does not shut properly	<ul style="list-style-type: none"> A. The freezer door is not properly aligned B. Possible blockage from food containers, shelves, bins, etc. 	<ul style="list-style-type: none"> A. Re-align the freezer door. Refer to the "Door Alignment" section B. Ensure nothing is blocking the door
Freezer has an odor	<ul style="list-style-type: none"> A. Foods not properly sealed B. Interior needs cleaning 	<ul style="list-style-type: none"> A. Removed any contaminated foods B. Please refer to "Cleaning and Care" section

TROUBLESHOOTING & WARRANTY

LIMITED WARRANTY

Any repair, replacement, or warranty service, and all questions about this product should be directed to W Appliance Co. at **1 (855) 855-0294** from the USA or Puerto Rico.

W Appliance Co. warrants to the original purchaser that the product will be free from defects in material, parts and workmanship for the period designated for this product. The warranty commences the day the product is purchased and covers up to a period of **1 year (12 months) for labor/1 year (12 months) for parts (manufacturing defects only)/carry in service/ and a total of 2 years (24 months) for compressor part only.** W Appliance Co. agrees that it will, at its option, replace the defective product with either a new or remanufactured unit equivalent to your original purchase during the warranty period.

Exclusions: This warranty does not apply if any of the following conditions exist:

1. The appearance or exterior of the product has been damaged or defaced, or altered or modified in either design or construction.
2. The product's original serial number has been altered or removed, or cannot be readily determined.
3. Damage is due to a power line surge, or connection to an improper voltage source.
4. Damage is due to general misuse, accidents, or acts of God.
5. Repair attempts were made by unauthorized service providers; parts other than genuine parts were used; or parts were obtained from unauthorized service companies.
6. The product was transferred from the original owner.
7. The product was purchased as refurbished, like new, or second-hand, or with "As-Is" or "Final Sale" terms.
8. The product was used in a commercial or rental setting.
9. The product was used in settings other than ordinary households, or used other than in accordance with the provided instructions.
10. Damage is due to improper installation.

The following costs are not covered under this warranty:

1. Transportation and shipping costs associated with the replacement of the unit.
2. Service calls to instruct you how to use your product.
3. Service calls to repair or replace the house fuse, reset a circuit breaker, or correct the wiring in the house.
4. Service calls required due to improper installation.

REPAIR OR REPLACEMENT AS PROVIDED UNDER THIS WARRANTY IS THE EXCLUSIVE REMEDY OF THE CUSTOMER; W Appliance Co. SHALL NOT BE LIABLE FOR ANY INCIDENTAL OR CONSEQUENTIAL DAMAGES FOR BREACH OF ANY EXPRESS OR IMPLIED WARRANTY ON THIS PRODUCT, EXCEPT TO THE EXTENT PROHIBITED BY APPLICABLE LAW. ANY IMPLIED WARRANTY OF MERCHANTABILITY OF FITNESS FOR A PARTICULAR PURPOSE ON THIS PRODUCT IS LIMITED TO THE DURATION OF THE WARRANTY.

Some states do not allow the exclusion or limitations of incidental or consequential damages, or limitations on how long the warranty lasts. In these cases the above exclusions or limitations may not apply to you. This warranty gives you specific legal rights and you may also have other rights which vary from state to state.

Obtaining Service: To obtain service, product literature, supplies or accessories please call **1 (855) 855-0294** to create a ticket for exchange/repair. Please make sure to provide the date of purchase, model number and a brief description of the problem. Our customer service representative will contact you or send detailed return instructions.

W Appliance Co. does not warrant that the appliance will work properly in all environmental conditions, and makes no warranty and representation, either implied or expressed, with respect to the quality, performance, merchantability, or fitness for a particular purpose other than the purpose identified within this user's manual. W Appliance Co. has made every effort to ensure that this user's manual is accurate and disclaims liability for any inaccuracies or omissions that may have occurred. Information in this user's manual is subject to change without notice and does not represent a commitment on the part of W Appliance Co.. W Appliance Co. reserves the right to make improvements to this user's manual and/or to the products described in this user's manual at any time without notice. If you find information in this manual that is incorrect, misleading, or incomplete, please contact us at **1- 855-855-0294**.

W Appliance Company LLC,
New York, NY 10018



© 2020 W Appliance Company LLC. All Rights Reserved.